

## VEGACAP 62

Two-wire

Capacitive rod electrode for level detection



### Application area

The VEGACAP 62 is a point level sensor for use in all areas of industry. The partly insulated probe is suitable for measurement of bulk solids and liquids. The proven mechanical construction ensures a high functional safety.

### Your benefit

- Long lifetime and low maintenance requirement through robust mechanical construction
- High flexibility through shortenable probe
- Maximum utilisation of vessel, because measurement over entire probe length

### Function

Sensor and vessel form the two electrodes of a capacitor. A capacitance change caused by a level change is evaluated by the integrated electronics and converted into a switching signal. The capacitive measuring principle has no special requirements in respect to installation and mounting.

### Technical data

Sensor length	up to 6 m (19.69 ft)
Process fitting	Thread from G½, ½ NPT, flanges from DN 50, 2"
Process pressure	-1 ... +64 bar/-100 ... +6400 kPa (-14.5 ... +928 psig)
Process temperature	-50 ... +200 °C (-58 ... +392 °F)
Ambient, storage and transport temperature	-40 ... +80 °C (-40 ... +176 °F)
Operating voltage	10 ... 36 V DC (via the signal conditioning instrument)
Output signal	
– Suitable signal conditioning instruments	VEGATOR 141, 142, 620, 621, 622
– Output signal	> 4 ... < 20 mA (not standardised)
– Fault message	< 2.3 mA
Switching delay	0.7 s (on/off)

### Materials

The wetted parts of the instrument are made of stainless steel. The probe insulation is made of PTFE. You will find a complete overview of the available materials and seals in the "configurator" on our homepage at [www.vega.com/configurator](http://www.vega.com/configurator).

### Housing versions

The housings are available in plastic, stainless steel or Aluminium. They are available with protection ratings up to IP 67.

### Electronics versions

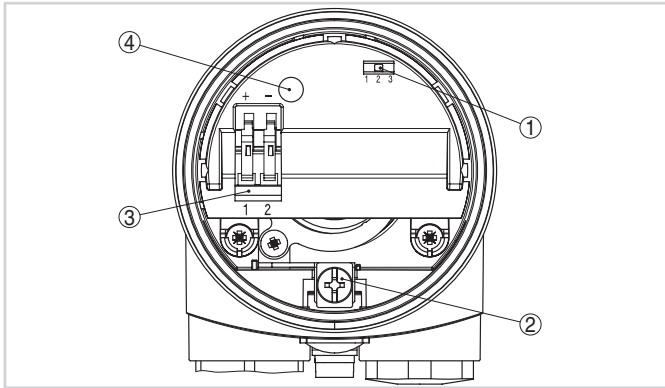
The instruments are available in different electronics versions. Apart from the versions with transistor output, contactless electronic switch and relay output, a two-wire version for connection to a signal conditioning instrument is available.

### Approvals

The instruments are suitable for use in hazardous areas and are approved e.g. according to ATEX and IEC. The instruments also have various ship approvals such as e.g. GL, LRS or ABS. You can find detailed information at [www.vega.com/downloads](http://www.vega.com/downloads) and "Approvals".

## Operation

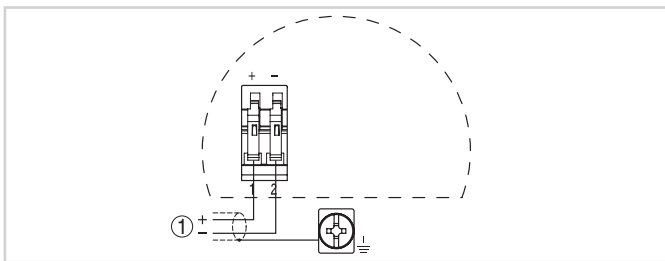
The mode and switching point of the limit switch are adjusted on the connected signal conditioning instrument.



Electronics module - Two-wire output

- 1 DIL switch for measuring range selection (with compensation button)
- 2 Ground terminal
- 3 Connection terminals
- 4 Control lamp

## Electrical connection

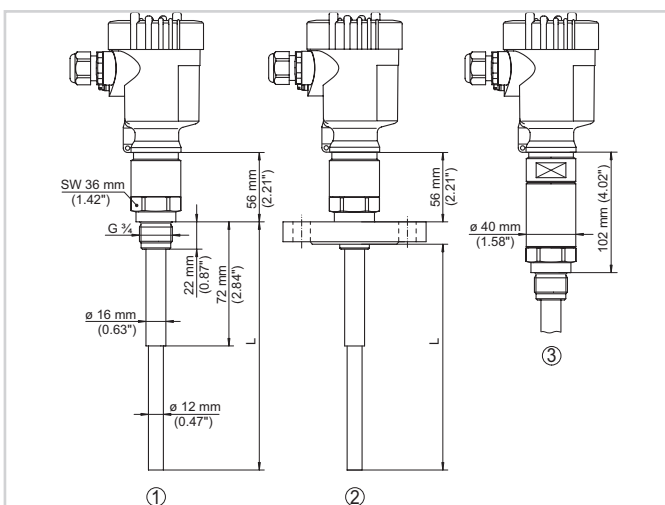


Wiring plan

- 1 Voltage supply

You can find details on electrical connection in the instrument operating instructions on our homepage at [www.vega.com/downloads](http://www.vega.com/downloads).

## Dimensions



- 1 Threaded version
- 2 Flange version
- 3 Threaded version with temperature adapter

## Information

You can find further information on the VEGA product line on our homepage [www.vega.com](http://www.vega.com).

In the download section under [www.vega.com/downloads](http://www.vega.com/downloads) you'll find free operating instructions, product information, brochures, approval documents, instrument drawings and much, much more.

## Instrument selection

With the "Finder" at [www.vega.com/finder](http://www.vega.com/finder) and "VEGA Tools" you can select the most suitable measuring principle for your application. You can find detailed information on the instrument versions in the "Configurator" at [www.vega.com/configurator](http://www.vega.com/configurator) and "VEGA Tools".

## Contact

You can find the VEGA agency serving your area on our homepage [www.vega.com](http://www.vega.com).